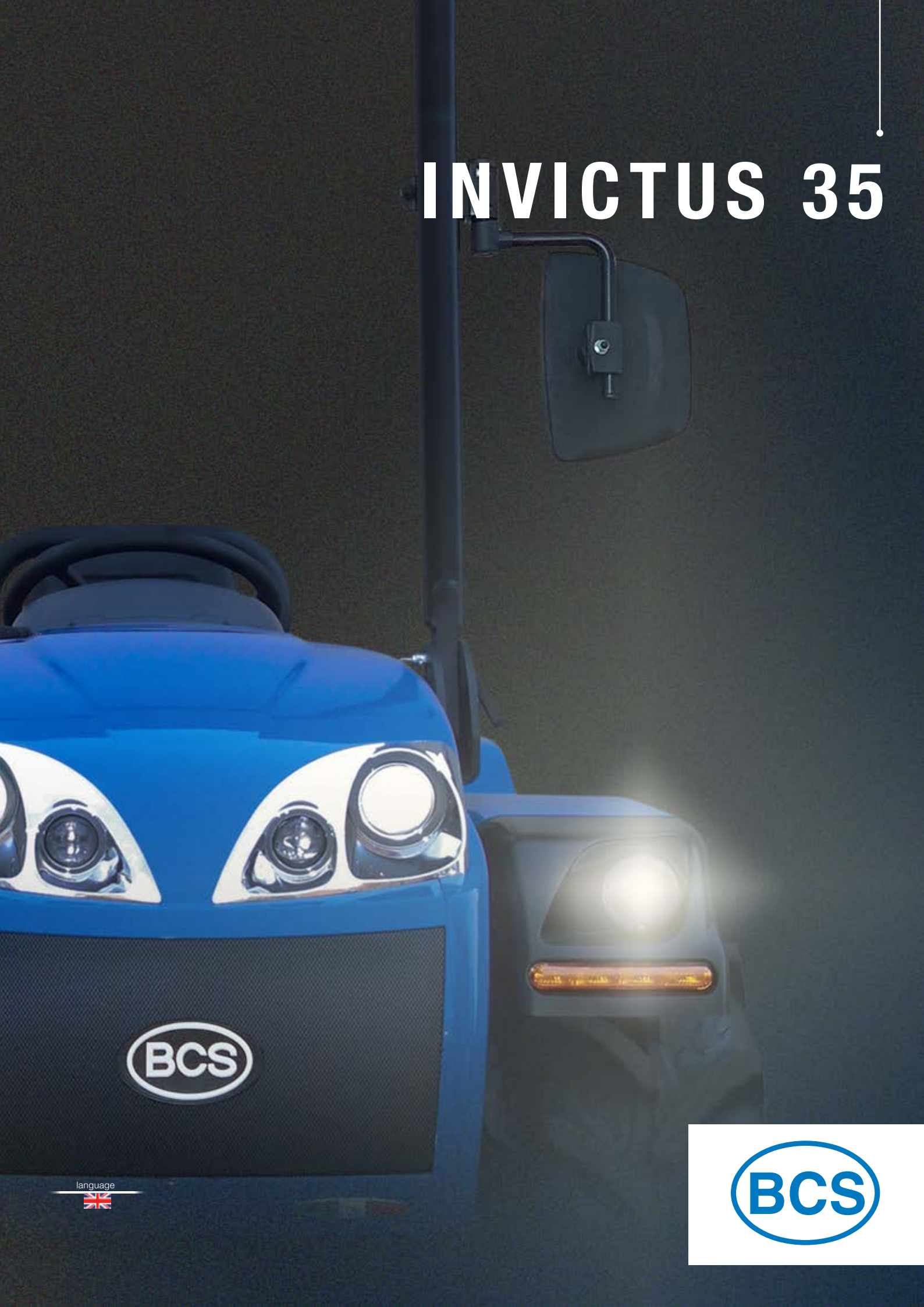


# INVICTUS 35



language





# INVICTUS 35 RANGE

A range of four equal drive wheels tractors, made up of four different models, each designed and built to satisfy, 365 days a year, the needs of hobby farmers, semi-professionals and small agricultural companies specializing in cultivation in greenhouses, vegetable gardens, nurseries and micro-rows.

**AR** – Chassis with central articulation, narrow wheel track and contained turning radii.

**AR JUNIOR MICRO** – Chassis with central articulation, super-narrow track width and basic equipment.

**RS** – Chassis with steering wheels, stability and adherence for use also in sloping areas.

**RS JUNIOR** – Chassis with steering wheels and basic equipment.

Equipped with a 25 hp Stage V engine, the Invictus 35 range stands out for its extremely compact dimensions, manoeuvrability even in tight spaces and versatility in both agricultural and greens maintenance.

THE INVICTUS 35 RANGE IS THE ONLY ONE IN ITS CATEGORY THAT OFFERS AN ARTICULATED VERSION.







INVICTUS 35

## TRANSMISSION AND HYDRAULICS

The **12-speed gearbox** (8 in forward and 4 in reverse) with easy gear engagement makes it possible to always select the most appropriate gear for the job at hand, avoiding overlapping speeds in the different ranges and exploiting the power of the engine, making the machine highly productive in all circumstances.

Gearbox levers are positioned under the steering wheel to allow maximum accessibility to the driver's seat.

The maximum speed of 30 km/h also facilitates fast travel within the farm or on urban roads.

Permanent four-wheel drive, the front and rear differential with simultaneous locking via a mechanical foot control, as well as **the unique OS-Frame** with +/-15° oscillation between the front and rear axles, ensure the tractor has maximum grip on the ground.

The **hydraulic system** consists of a gear pump with a flow rate of 16.5 l/min and can supply up to 6 rear hydraulic outlets for the use of a wide range of equipment.

The mechanically engaged 540 rpm PTO is transmission-dependent and synchronised for coupling with small self-propelled trailers or agricultural equipment requiring synchronisation with the tractor's forward speed.

As an option, an **independent power take-off with multi-disc clutch in oil bath** and electro-hydraulic control on the dashboard is available for RS versions.

## GENEROUS ENGINE

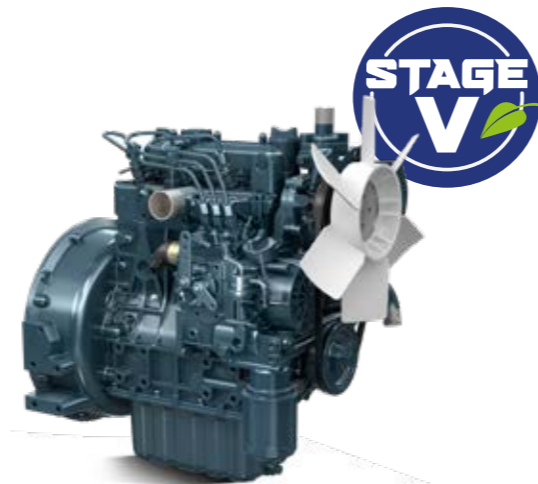
The Invictus 35 range is equipped with a 3-cylinder Kubota engine which develops a 25 hp @3000 rpm.

Water cooled, it ensures smooth and gradual power supply with minimum fuel consumption.

The tank, with a capacity of 43 litres, also guarantees long working autonomy.

The exhaust pipe is located inside the front bumpers, freeing the bonnet from protruding elements.

The tractor bonnet opening system allows full accessibility to the engine compartment, making overhaul and maintenance operations quick and easy.





# COMFORT AND SAFETY

The driver's seat, with a contoured and adjustable seat equipped with seat belts, is tailor-made for the driver with **all controls ergonomically positioned and easy to operate** for full control of the tractor and equipment at all times.

The dashboard with its modern and elegant design houses the control instrumentation that provides the operator with all necessary data on the status of the tractor.

The short wheelbase and steering with hydrostatic steering acting on the central joint (in the AR version) or on the front wheels (in the RS version) allow **smooth vehicle handling, precise turns and minimal turning radii**.

The service brakes, drum brakes acting on the rear wheels, guarantee modular and safe braking.

In the RS version, there are two manoeuvre brakes that act independently on the rear wheels, further reducing the turning radius for the benefit of agility between the rows or under greenhouses.





# INVICTUS 35 AR JUNIOR | micro

Invictus 35 AR Junior Micro is the **narrowest isodiametric tractor on the market thanks to an overall width of only 77 cm!**

The super-compact dimensions make it an indispensable ally in the cultivation of micro-row crops and vines with limited widths, in vegetable cultivation, in greenhouses and suitable for nurseries for the cultivation of Christmas trees typical of Northern Europe.

The OS-Frame and the steering acting on the central joint of the tractor ensure agility between the rows and reduced turning radii.

Simple and multifunctional, the Invictus 35 AR Junior Micro is the ideal tractor for demanding farmers looking for agility in tight spaces, performance and reliability.

## VERSATILE AND WIDELY CONFIGURABLE

The standard equipment of the Junior Micro version is basic but widely configurable thanks to the wide choice of options available to meet specific work requirements:

- Rear up/down lifter with two cylinders and a lifting capacity of 950 kg.
- Rear hydraulic outlets.
- Optional height-adjustable steering wheel.
- Pair of front work lights, adjustable rear light and rotating lamp.





# INVICTUS 35 RS JUNIOR

Invictus 35 RS Junior is a **steering tractor for hobbyists and part-time farmers** who seek reliability, safety and comfort to operate 365 days a year in greenhouses, vegetable gardens and small rows.

The rear lift is equipped with a three-point linkage cat. 1 with a lifting capacity at the ball joints of 950 kg in the optional version with two cylinders.

The optional manoeuvring brakes further reduce the turning radius for more agility between the rows.

Simplicity, inexpensive to run and high performance are combined with particular focus on operator comfort thanks to a comfortable, easily accessible driver's seat with all controls within easy reach.

## VERSATILE AND WIDELY CONFIGURABLE

The standard equipment of the Junior version is simple and essential, and can be extensively configured to make the tractor extremely versatile in the management of small agricultural plots, greenhouses, vegetable gardens and green areas:

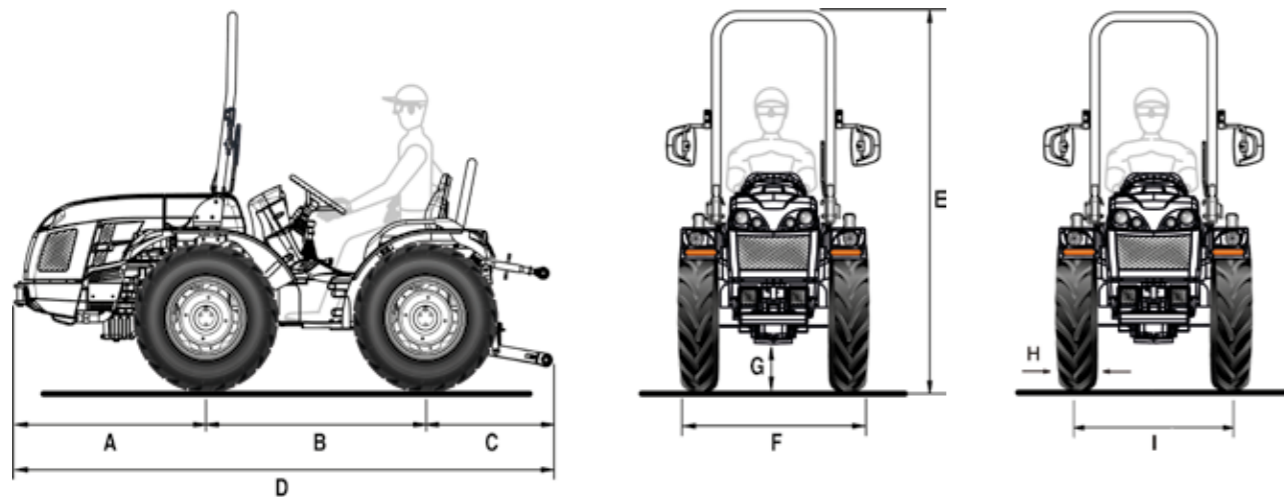
- Independent power take-off with multi-disc clutch in oil bath and electro-hydraulic engagement control.
- Rear up/down lifter with two cylinders and a lifting capacity of 950 kg.
- Rear hydraulic outlets.
- Independent manoeuvring brakes acting on the rear wheels.
- Optional height-adjustable steering wheel.
- Tractor tyres available for maximum grip or Garden tyre for lower compaction.
- Pair of front work lights, rear light and rotating lamp.





# INVICTUS 35 AR

## Data Sheet



| A   | B    | C   | D    | E<br>min/max | F<br>min/max | G<br>min/max |
|-----|------|-----|------|--------------|--------------|--------------|
| 968 | 1200 | 775 | 2943 | 1970 / 1990  | 989 / 1391   | 170 / 335    |

\* Dimensions in mm

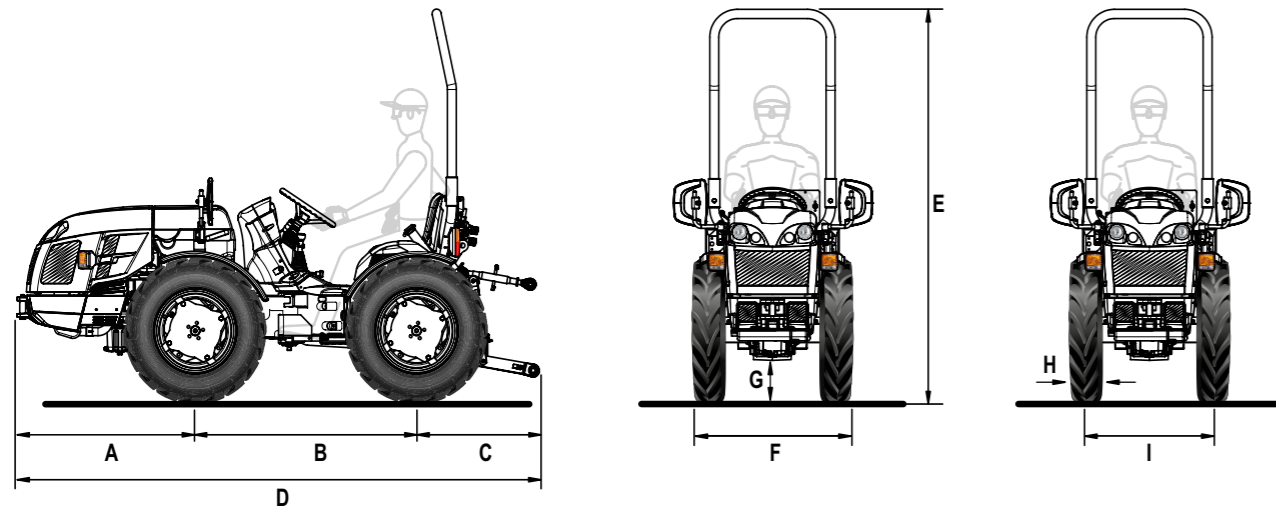
|          | 6.50-16<br>with adjustable rim | 210/95 R16<br>(7.50-16)<br>with adjustable rim | 260/70 R16<br>with adjustable rim | 240/70-15<br>Garden<br>with fixed rim |
|----------|--------------------------------|--|-----------------------------------|---------------------------------------|
| <b>H</b> | 183                            | 209  | 258                               | 253                                   |
| <b>I</b> | 806 / 1182                     | 806 / 1182                                     | 882 / 1040                        | 906 / 1082                            |
| <b>F</b> | 989 / 1365                     | 1015 / 1391                                    | 1140 / 1298                       | 1159 / 1335                           |

\* Dimensions in mm - min / max  
H = Tyre width - I = Wheel track - F = Tractor width

| TECHNICAL FEATURES               | INVICTUS 35 AR   |
|----------------------------------|--|
| <b>ENGINE</b>                    | Kubota D1105   Diesel indirect injection   Natural aspiration   3 cylinders   1123 cc   Liquid cooling   Stage V                     |
| Power                            | 18.5 kW / 25 hp @3000 rpm   Max torque 71.5 Nm@2200 rpm  |
| Tank capacity (l)                | 43   |
| <b>CHASSIS</b>                   | Swinging integral chassis (±15°) OS-FRAME with central articulation  |
| <b>DRIVE</b>                     | Permanent four-wheel drive   |
| <b>TRANSMISSION</b>              | Gearbox with easy gear engagement: 8 FWD + 4 REV speeds  |
| Min/max travel speed (km/h)      | 1.5 / 30   |
| Transmission clutch              | Dry single disc  |
| <b>DIFFERENTIAL</b>              | Front and rear with simultaneous locking and mechanical control  |
| <b>REAR PTO</b>                  | At 540 rpm and synchronised with forwarding speed  |
| Engagement control               | Mechanical   |
| <b>HYDRAULIC SYSTEM</b>          | Single-circuit   |
| Hydraulic pump flow rate (l/min) | 16.5   |
| Maximum hydraulic pressure (bar) | 125  |
| <b>REAR CONTROL VALVES</b>       | Mechanically controlled  |
| Standard                         | 1 double-acting (total 2 hydraulic outlets)  |
| Optional                         | Up to 6 hydraulic outlets in total   |
| <b>REAR LIFT</b>                 | Up/down lift, by two external cylinders  |
| 3-point implement hitch          | With normal couplings cat. 1   |
| Third point tie rod              | With manual adjustment   |
| Ball joint lifting capacity (kg) | 950  |
| <b>DRIVING POSITION</b>          | Monodirectional  |
| Steering wheel                   | Standard: fixed - Optional: height adjustable  |
| Seat                             | Comfort seat with longitudinal, height and spring adjustment according to the operator's weight, safety belt and man-on-board sensor |
| <b>SERVICE BRAKES</b>            | Drum brakes acting on rear wheels  |
| Parking brake                    | Acting on service brakes   |
| <b>STEERING</b>                  | Hydrostatic steering acting on the central joint   |
| <b>SAFETY</b>                    | Front homologated roll-bar with gas spring for easy lowering and lifting   |
| <b>DASHBOARD</b>                 | With analogue instrumentation complete with operating hours indicator, engine rpm, forwarding speed and warning lights               |
| <b>ELECTRIC SYSTEM</b>           | 60 Ah / 12 V battery - 40 A alternator   |
| Standard equipment               | Street light and indicator system, front working lights, auxiliary power outlet on the dashboard (12V), rear 7-pin socket            |
| <b>TYRES</b>                     | 6.50-16 * 210/95R16 (7.50-16) * 260/70R16 * 240/70-15 Garden   |
| <b>TOW HOOKS</b>                 | Standard: front and rear CUNA cat. B adjustable in height - Optional: rear tow hook EC approved                                      |
| <b>RUNNING ORDER WEIGHT</b>      | With roll-bar: 1040 kg   |
| <b>ADDITIONAL OPTIONS</b>        | Rear adjustable working light, beacon lamp, wheel weights kg 40 each.  |

# INVICTUS 35 AR JUNIOR **Micro**

## Data Sheet



| A   | B    | C   | D    | E<br>min/max | F<br>min/max | G<br>min/max |
|-----|------|-----|------|--------------|--------------|--------------|
| 968 | 1200 | 723 | 2891 | 2022 / 2059  | 770 / 902    | 150 / 187    |

\* Dimensions in mm

|          | 5.00-15<br>with fixed rim | 6.00-16<br>with fixed rim |
|----------|---------------------------|---------------------------|
| <b>H</b> | 129                       | 177                       |
| <b>I</b> | 641 / 762                 | 677 / 725                 |
| <b>F</b> | 770 / 891                 | 854 / 902                 |

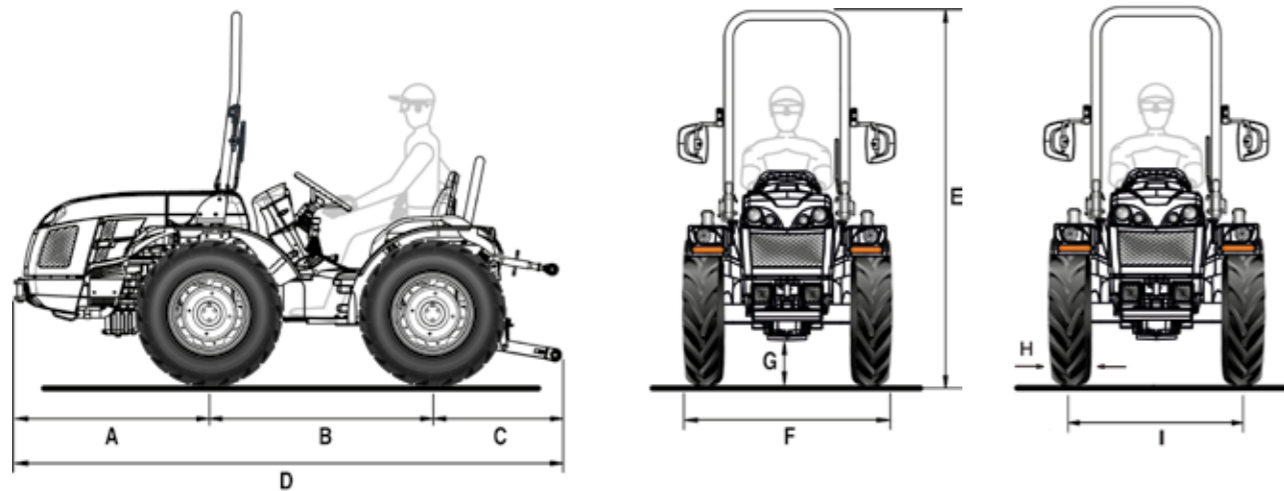
\* Dimensions in mm - min / max  
H = Tyre width - I = Wheel track - F = Tractor width

| TECHNICAL FEATURES               | INVICTUS 35 AR JUNIOR MICRO  |
|----------------------------------|--|
| <b>ENGINE</b>                    | Kubota D1105   Diesel indirect injection   Natural aspiration   3 cylinders   1123 cc   Liquid cooling   Stage V                     |
| Power                            | 18.5 kW / 25 hp @3000 rpm   Max torque 71.5 Nm@2200 rpm  |
| Tank capacity (l)                | 43   |
| <b>CHASSIS</b>                   | Swinging integral chassis (±15°) OS-FRAME with central articulation  |
| <b>DRIVE</b>                     | Permanent four-wheel drive   |
| <b>TRANSMISSION</b>              | Gearbox with easy gear engagement: 8 FWD + 4 REV speeds  |
| Min/max travel speed (km/h)      | 1.3 / 25.1   |
| Transmission clutch              | Dry single disc  |
| <b>DIFFERENTIAL</b>              | Front and rear with simultaneous locking and mechanical control  |
| <b>REAR PTO</b>                  | At 540 rpm and synchronised with forwarding speed  |
| Engagement control               | Mechanical   |
| <b>HYDRAULIC SYSTEM</b>          | Single-circuit   |
| Hydraulic pump flow rate (l/min) | 16.5   |
| Maximum hydraulic pressure (bar) | 125  |
| <b>REAR CONTROL VALVES</b>       | Mechanically controlled  |
| Standard                         | Without hydraulic outlets  |
| Optional                         | Up to 2 hydraulic outlets in total   |
| <b>REAR LIFT</b>                 | Up/down lift. Standard: by single external cylinder - Optional: by two external cylinders  |
| 3-point implement hitch          | With normal couplings cat. 1N  |
| Third point tie rod              | With manual adjustment   |
| Ball joint lifting capacity      | With standard one-cylinder rear lift: 500 kg - With optional two-cylinder rear lift: 950 kg  |
| <b>DRIVING POSITION</b>          | Monodirectional  |
| Steering wheel                   | Standard: fixed - Optional: height adjustable  |
| Seat                             | Comfort seat with longitudinal, height and spring adjustment according to the operator's weight, safety belt and man-on-board sensor |
| <b>SERVICE BRAKES</b>            | Drum brakes acting on rear wheels  |
| Parking brake                    | Acting on service brakes   |
| <b>STEERING</b>                  | Hydrostatic steering acting on the central joint   |
| <b>SAFETY</b>                    | Rear roll-bar  |
| <b>DASHBOARD</b>                 | With analogue instrumentation complete with operating hours indicator, engine rpm, forwarding speed and warning lights               |
| <b>ELECTRIC SYSTEM</b>           | 60 Ah / 12 V battery - 40 A alternator   |
| Standard equipment               | Street light and indicator system, auxiliary power outlet on the dashboard (12V), rear 7-pin socket                                  |
| <b>TYRES</b>                     | 5.00-15 * 6.00-16  |
| <b>TOW HOOKS</b>                 | Standard: front and rear CUNA cat. B adjustable in height - Optional: rear tow hook EC approved                                      |
| <b>RUNNING ORDER WEIGHT</b>      | With roll-bar: 975 kg  |
| <b>ADDITIONAL OPTIONS</b>        | Front working lights, rear adjustable working light, beacon lamp   |



# INVICTUS 35 RS

## Data Sheet



| A   | B    | C   | D    | E<br>min/max | F<br>min/max | G<br>min/max |
|-----|------|-----|------|--------------|--------------|--------------|
| 968 | 1200 | 775 | 2943 | 1970 / 1990  | 1069 / 1391  | 170 / 335    |

\* Dimensions in mm

|          | 6.50-16<br>with adjustable rim | 210/95 R16<br>(7.50-16)<br>with adjustable rim | 260/70 R16<br>with adjustable rim | 240/70-15<br>Garden<br>with fixed rim |
|----------|--------------------------------|--|-----------------------------------|---------------------------------------|
| <b>H</b> | 183                            | 209  | 258                               | 253                                   |
| <b>I</b> | 886 / 1182                     | 886 / 1182                                     | 944 / 1102                        | 906 / 1082                            |
| <b>F</b> | 1069 / 1365                    | 1095 / 1391                                    | 1202 / 1360                       | 1159 / 1335                           |

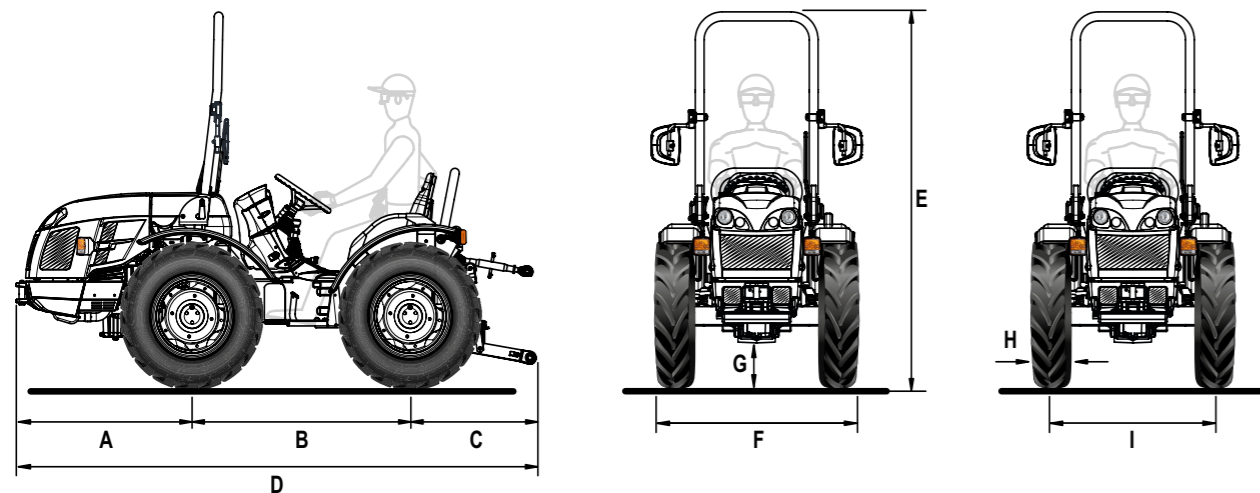
\* Dimensions in mm - min / max  
H = Tyre width - I = Wheel track - F = Tractor width

| TECHNICAL FEATURES               | INVICTUS 35 RS   |
|----------------------------------|--|
| <b>ENGINE</b>                    | Kubota D1105   Diesel indirect injection   Natural aspiration   3 cylinders   1123 cc   Liquid cooling   Stage V                               |
| Power                            | 18.5 kW / 25 hp @3000 rpm   Max torque 71.5 Nm@2200 rpm  |
| Tank capacity (l)                | 43   |
| <b>CHASSIS</b>                   | Swinging integral chassis (±15°) OS-FRAME with steering wheels   |
| <b>DRIVE</b>                     | Permanent four-wheel drive   |
| <b>TRANSMISSION</b>              | Gearbox with easy gear engagement: 8 FWD + 4 REV speeds  |
| Min/max travel speed (km/h)      | 1.5 / 30   |
| Transmission clutch              | Dry single disc  |
| <b>DIFFERENTIAL</b>              | Front and rear with simultaneous locking and mechanical control  |
| <b>REAR PTO</b>                  | At 540 rpm and synchronised with forwarding speed  |
| Engagement control               | Mechanical   |
| Optional                         | Independent from gearbox rear PTO at 540 rpm with multi-disc oil bath clutch, electro-hydraulic control and synchronised with forwarding speed |
| <b>HYDRAULIC SYSTEM</b>          | Single-circuit   |
| Hydraulic pump flow rate (l/min) | 16.5   |
| Maximum hydraulic pressure (bar) | 125  |
| <b>REAR CONTROL VALVES</b>       | Mechanically controlled  |
| Standard                         | 1 double-acting (total 2 hydraulic outlets)  |
| Optional                         | Up to 4 hydraulic outlets in total   |
| <b>REAR LIFT</b>                 | Up/down lift, by two external cylinders  |
| 3-point implement hitch          | With normal couplings cat. 1   |
| Third point tie rod              | With manual adjustment   |
| Ball joint lifting capacity (kg) | 950  |
| <b>DRIVING POSITION</b>          | Monodirectional  |
| Steering wheel                   | Standard: fixed - Optional: height adjustable  |
| Seat                             | Comfort seat with longitudinal, height and spring adjustment according to the operator's weight, safety belt and man-on-board sensor           |
| <b>SERVICE BRAKES</b>            | Drum brakes acting on rear wheels. Independent manoeuvring brakes acting on the rear wheels  |
| Parking brake                    | Acting on service brakes   |
| <b>STEERING</b>                  | Hydrostatic steering acting on the front wheels  |
| <b>SAFETY</b>                    | Front homologated roll-bar with gas spring for easy lowering and lifting   |
| <b>DASHBOARD</b>                 | With analogue instrumentation complete with operating hours indicator, engine rpm, forwarding speed and warning lights                         |
| <b>ELECTRIC SYSTEM</b>           | 60 Ah / 12 V battery - 40 A alternator   |
| Standard equipment               | Street light and indicator system, front working lights, auxiliary power outlet on the dashboard (12V), rear 7-pin socket                      |
| <b>TYRES</b>                     | 6.50-16 * 210/95R16 (7.50-16) * 260/70R16 * 240/70-15 Garden   |
| <b>TOW HOOKS</b>                 | Standard: front and rear CUNA cat. B adjustable in height - Optional: rear tow hook EC approved  |
| <b>RUNNING ORDER WEIGHT</b>      | With roll-bar: 1060 kg   |
| <b>ADDITIONAL OPTIONS</b>        | Rear adjustable working light, beacon lamp, wheel weights kg 40 each.  |



# INVICTUS 35 RS JUNIOR

## Data Sheet



| A   | B    | C   | D    | E<br>min/max | F<br>min/max | G<br>min/max |
|-----|------|-----|------|--------------|--------------|--------------|
| 968 | 1200 | 775 | 2943 | 1940 / 1990  | 1069 / 1391  | 170 / 335    |

\* Dimensions in mm

|          | 6.50-16<br>with adjustable rim | 210/95 R16<br>(7.50-16)<br>with adjustable rim | 260/70 R16<br>with adjustable rim | 240/70-15<br>Garden<br>with fixed rim |
|----------|--------------------------------|--|-----------------------------------|---------------------------------------|
| <b>H</b> | 183                            | 209  | 258                               | 253                                   |
| <b>I</b> | 886 / 1182                     | 886 / 1182                                     | 944 / 1102                        | 906 / 1082                            |
| <b>F</b> | 1069 / 1365                    | 1095 / 1391                                    | 1202 / 1360                       | 1159 / 1335                           |

\* Dimensions in mm - min / max  
H = Tyre width - I = Wheel track - F = Tractor width

| TECHNICAL FEATURES               | INVICTUS 35 RS JUNIOR   |
|----------------------------------|---|
| <b>ENGINE</b>                    | Kubota D1105   Diesel indirect injection   Natural aspiration   3 cylinders   1123 cc   Liquid cooling   Stage V  |
| Power                            | 18.5 kW / 25 hp @3000 rpm   Max torque 71.5 Nm@2200 rpm   |
| Tank capacity (l)                | 43  |
| <b>CHASSIS</b>                   | Swinging integral chassis (±15°) OS-FRAME with steering wheels  |
| <b>DRIVE</b>                     | Permanent four-wheel drive  |
| <b>TRANSMISSION</b>              | Gearbox with easy gear engagement: 8 FWD + 4 REV speeds   |
| Min/max travel speed (km/h)      | 1.5 / 30  |
| Transmission clutch              | Dry single disc   |
| <b>DIFFERENTIAL</b>              | Front and rear with simultaneous locking and mechanical control   |
| <b>REAR PTO</b>                  | At 540 rpm and synchronised with forwarding speed   |
| Engagement control               | Mechanical  |
| Optional                         | Independent from gearbox rear PTO at 540 rpm with multi-disc oil bath clutch, electro-hydraulic control and synchronised with forwarding speed (available with rear lift by two cylinders only) |
| <b>HYDRAULIC SYSTEM</b>          | Single-circuit  |
| Hydraulic pump flow rate (l/min) | 16.5  |
| Maximum hydraulic pressure (bar) | 125   |
| <b>REAR CONTROL VALVES</b>       | Mechanically controlled   |
| Standard                         | Without hydraulic outlets   |
| Optional                         | Up to 2 hydraulic outlets in total  |
| <b>REAR LIFT</b>                 | Up/down lift. Standard: by single external cylinder - Optional: by two external cylinders   |
| 3-point implement hitch          | With normal couplings cat. 1  |
| Third point tie rod              | With manual adjustment  |
| Ball joint lifting capacity      | With standard one-cylinder rear lift: 500 kg - With optional two-cylinder rear lift: 950 kg   |
| <b>DRIVING POSITION</b>          | Monodirectional   |
| Steering wheel                   | Standard: fixed - Optional: height adjustable   |
| Seat                             | Comfort seat with longitudinal, height and spring adjustment according to the operator's weight, safety belt and man-on-board sensor  |
| <b>SERVICE BRAKES</b>            | Drum brakes acting on rear wheels. Optional: independent manoeuvring brakes acting on the rear wheels   |
| Parking brake                    | Acting on service brakes  |
| <b>STEERING</b>                  | Hydrostatic steering acting on the front wheels   |
| <b>SAFETY</b>                    | Front roll-bar  |
| <b>DASHBOARD</b>                 | With analogue instrumentation complete with operating hours indicator, engine rpm, forwarding speed and warning lights  |
| <b>ELECTRIC SYSTEM</b>           | 60 Ah / 12 V battery - 40 A alternator  |
| Standard equipment               | Street light and indicator system, auxiliary power outlet on the dashboard (12V), rear 7-pin socket   |
| <b>TYRES</b>                     | 6.50-16 * 210/95R16 (7.50-16) * 260/70R16 * 240/70-15 Garden  |
| <b>TOW HOOKS</b>                 | Standard: front and rear CUNA cat. B adjustable in height - Optional: rear tow hook EC approved   |
| <b>RUNNING ORDER WEIGHT</b>      | With roll-bar: 1060 kg  |
| <b>ADDITIONAL OPTIONS</b>        | Front working lights, rear adjustable working light, beacon lamp  |



## THE SERVICES

---



### SPARE PARTS

A complete range of original spare parts, guaranteed directly by the manufacturer.



### ASSISTANCE

A team of specialists, well prepared and available to assure an efficient and resolving service.



### LUBRICANTS

We recommend to use the original PowerLube lubricants.



### FINANCIAL SERVICES

Financial solutions to meet the credit requirements.



M A D E I N I T A L Y