



MA.TRA. 300



language



M A D E I N I T A L Y



A RANGE DESIGNED FOR GREENS MAINTENANCE PROFESSIONALS

Since its foundation in 1943, BCS has been designing and building grass mowing and greens maintenance machines.

The experience gained over the years and the success of these machines have allowed BCS to create a complete line of lawn mowers and heavy-duty mowers specifically for this market segment.

Models in the Ma.Tra. range are in fact dedicated to discerning private individuals for whom green care is their passion, or to professional maintainers who make intensive, daily use of them.

People and companies that use the machines on a continuous basis, demanding the best from them in terms of performance, reliability, comfort and economy of operation, all wrapped up in an innovative and attractive design.

MA.TRA. 300: PROFESSIONAL HEAVY-DUTY MOWER WITH HYDROSTATIC TRANSMISSION

Ma.Tra. 300 is a self-propelled, four-wheel drive machine for professional greens maintenance.

Extremely efficient both in cleaning and clearing rustic areas infested with brambles, shrubs and brushwood, and in cutting grass without collection in parks and roadsides.

Manoeuvrability, small turning radius, comfortable driving position and stability even on sloping terrain or with poor grip guarantee Ma.Tra. 300 high performance in all conditions of use.

STAGE V ENGINE WITH 26 HP POWER
and cooling system featuring a self-cleaning screen radiator.

LARGE COMFORTABLE DRIVING POSITION
with all controls within easy reach.

LIMITED TURNING RADIUS
and steering wheel with hydro-guide operating on the rear wheels.

HYDROSTATIC TRANSMISSION
with double pedal (forward / reverse) and two forward speed ranges.

4-WHEEL DRIVE
with automatic disengagement when the fast speed is selected.



THREE DIFFERENTIALS
for maximum traction on all types of terrain.

INDEPENDENT SERVICE BRAKES
with separate pedal operation.

HYDRAULIC ADJUSTMENT OF CUTTING HEIGHT
directly from the driving position.

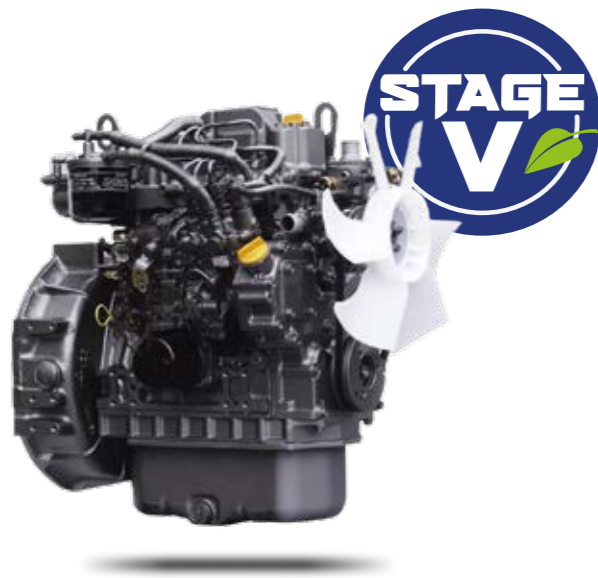
HIGH LEVEL PERFORMANCE

Ma.Tra. 300 is fitted with a 3-cylinder Yanmar diesel engine achieving 26 hp at 2800 rpm.

Excellent thermal efficiency dramatically reduces both fuel consumption and pollutant emissions while performance is safeguarded by a high torque reserve.

The engine is placed in an elevated position to avoid overheating due to dust and debris raised by the cutting equipment at work. It operates on flexible supports in order to minimise the transmission of any vibrations to the frame.

Engine cooling is also ensured by a special self-cleaning mesh radiator assisted by a large-capacity suction fan.



ENGINE	Yanmar 3TNV82A
EMISSION COMPLIANCE	Stage V
NO. OF CYLINDERS	3
DISPLACEMENT (CC)	1331
POWER (KW / HP)	18.9 / 26
RATED SPEED (RPM)	2800
MAX TORQUE (NM/RPM)	83 / 1680



TRANSMISSION

The hydrostatic double-pedal transmission (forward and reverse) reacts promptly to the operator's commands, allowing the two forward ranges to be exploited to the full:

- Slow range for work (up to 10 km/h)
- Fast transfer range (up to 20 km/h)

Four-wheel drive allows you to work safely and confidently even on slopes and uneven terrain without ever losing grip.

During transfers, on the other hand, the rear-wheel drive disengages automatically when the fast range is engaged.

In addition to the traditional front and rear locking differentials, Ma.Tra. 300 adopts an anti-scalp third central differential with torque divider. The central differential eliminates the problem of turf damage in understeer reversing operations.

The large ground clearance and the tilting rear axle allow the Ma.Tra. 300 to operate even on uneven terrain and easily overcome pavements and bumps.



ABSOLUTE COMFORT

The driving position is spacious and comfortable. The integrated control instrumentation in the centre of the dashboard is clearly visible and all controls are ergonomically positioned and easy to operate.

The adjustable, sprung seat with armrests and high back, in conjunction with the tilt-adjustable steering column, keep the operator comfortable throughout the working day.

The steering wheel, with hydro-guide acting on the rear wheels, guarantees a turning radius of 400 mm (0 mm with the help of the independent brakes) and a relaxed driving position even in heavy-duty applications.

The drum service brakes are independent and operate on the front wheels with separate pedals and a bolt to secure them during road travel.

As standard, Ma.Tra. 300 is equipped with a robust folding roll-bar, seat belts and a road-legal LED lighting system.



ATTACHMENTS

Ma.Tra. 300 cutting equipment without collection allow the chopped product to settle evenly on the ground and decompose quickly.

This system is not only practical and fast, but also saves time and disposal costs.

MUSTER

With a cutting width of 140 cm, Muster is the ideal attachment both for heavy-duty clearing of rustic areas infested with shrubs, brambles and troublesome brushwood, as well as for cutting grass without collection in parks and roadsides.

The unrivalled performance of the Muster is ensured by the special arrangement of the two horizontal rotors with differentiated blades:

- the first rotor with toothed blades cuts the stems cleanly
- the second rotor with 'Y'-shaped blades pulverises them, leaving the mow chopped up and evenly spread on the ground.

In uneven and rough terrain, an anti-scalp roller protects the surface, allowing the implement to follow and overcome depressions in the ground.

The cutting height adjustment between 25 and 85 mm is hydraulic and is done directly from the driver's seat.



BLADERUNNER

With a cutting width of 140 cm, BladeRunner is the specific attachment for the reclamation and maintenance of uncultivated land.

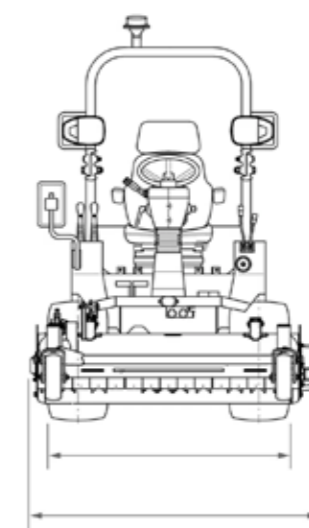
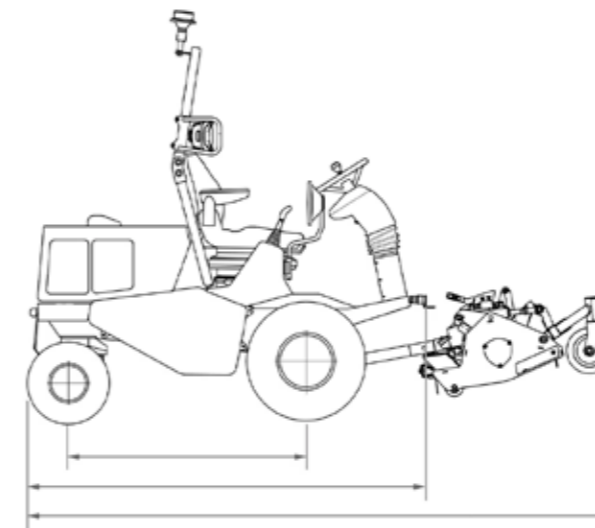
The 'Y' blades pulverise grass, brambles and brushwood and deposit them evenly across the entire cutting width. Lightweight and compact with only one cutting rotor, the BladeRunner has a large front opening that allows it to mow tall, dense grass faster than professional mowers.

The rear anti-scalp roller protects the surface in rough and uneven terrain.

The cutting height adjustment between 15 and 65 mm is hydraulic and is done directly from the driver's seat.

TECHNICAL FEATURES

ENGINE	Direct injection diesel - Stage V
Model	Yanmar 3TNV82A
No. of cylinders	3
Displacement (cc)	1331
Intake	Natural
Maximum power at 2800 rpm (kW/hp)	18.9 / 26
Max torque (Nm/rpm)	83 / 1680
Cooling system	With self-cleaning dual-element air/oil mesh radiator
Tank capacity (l)	46
TRANSMISSION	Hydrostatic double range (slow for work / fast for transfer)
Forward speed (km/h)	Slow range: 0 to 10 km/h - Fast range: 0 to 20 km/h
Forward motion command	Double pedal (forward/reverse)
DRIVE	Four-wheel drive with automatic disengagement of rear-wheel drive by engaging the fast transfer range
DIFFERENTIALS	Front, rear and centre anti-scalp. The front differential is with pedal lock and at the same time you also get the centre differential lock
POWER TAKE-OFF	Rated speed: 2600 rpm
Power take-off clutch	Electro-hydraulic
HYDRAULIC LIFT	Two-cylinder with two-point hitch
STEERING	Steering wheel with power steering acting on the rear wheels
STEERING WHEEL	Adjustable with tilt steering column
Minimum turning radius (mm)	400 (internal pneumatic) - Zero with the aid of the independent brakes
CONTROL INSTRUMENTATION	Integrated in the dashboard on the steering column
SERVICE BRAKES	Independent drums on the front wheels with separate pedal control and latch to make them integral during road traffic
Parking brake	Acting on service brakes
SEAT	Professional adjustable and sprung, with high backrest, armrests and safety belts
TYRES	Front 26x12.00-12 with Garden or Terra Tyre profile * Rear 18x8.50-8 with Garden profile
STANDARD EQUIPMENT	Homologated folding roll-bar, road-legal LED lights, front hydraulic socket kit



DIMENSIONS

LENGTH	2220 mm (without attachment) 3280 mm (with MUSTER) 2930 mm (with BLADERUNNER)
WIDTH	1300 mm (without attachment) 1590 mm (with MUSTER) 1560 mm (with BLADERUNNER)
HEIGHT	2360 mm
GROUND CLEARANCE	180 mm
WHEELBASE	1300 mm
EMPTY WEIGHT	1148 kg (without attachment) 1441 kg (with MUSTER) 1374 kg (with BLADERUNNER)

THE SERVICES



SPARE PARTS

A complete range of original spare parts, guaranteed directly by the manufacturer.



ASSISTANCE

A team of specialists, well prepared and available to assure an efficient and resolving service.



WARRANTY

A precise certainty for the customer's satisfaction:
2-year warranty included in the price.



LUBRICANTS

We recommend to use the original PowerLube lubricants.



BCS S.p.A.
Viale Mazzini, 161 - 20081 Abbiategrasso
Tel. +39 02 94821 | info@bcs-ferrari.it
www.bcsagri.com

