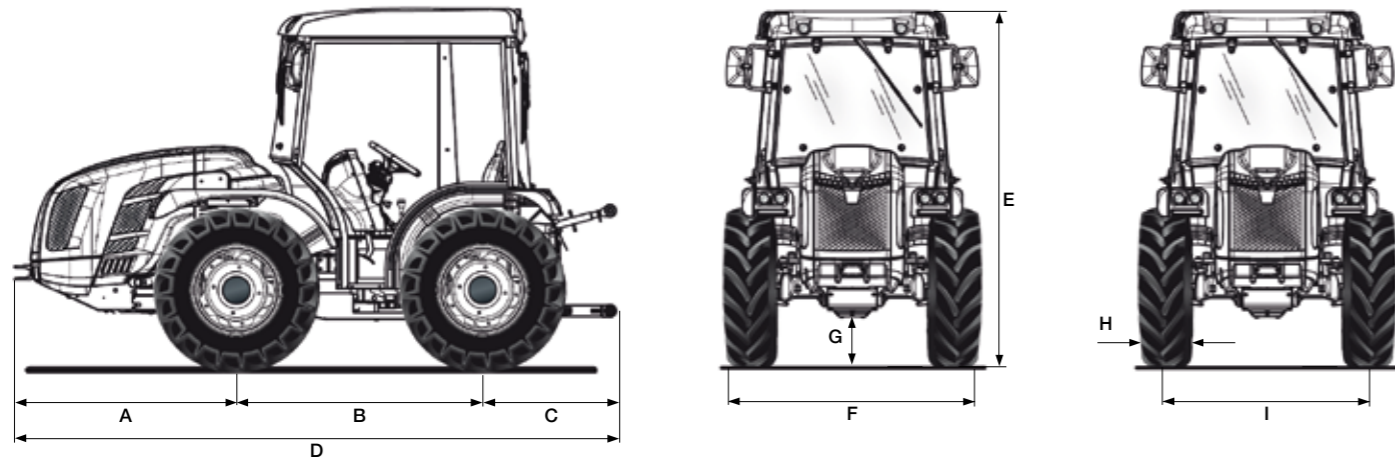


VOLCAN K90 MT

Data Sheet

MODEL YEAR 24



| A | B | C | D | E min/max | F min/max | G min/max |
|------|------|-----|------|--------------|--------------|--------------|
| 1348 | 1495 | 932 | 3775 | 2070 / 2180 | 1697 / 1961 | 184 / 294 |

* Dimensions in mm

| | 31x15.50-15 XTC | 31x15.50-15 STG | 440/50 R17 All-Ground | 340/65 R20 |
|----------|-----------------|-----------------|-----------------------|---------------------|
| | with fixed rim | with fixed rim | with fixed rim | with adjustable rim |
| H | 368 | 394 | 431 | 343 |
| I | 1510 | 1510 | 1476 | 1354 / 1618 |
| F | 1878 | 1904 | 1907 | 1697 / 1961 |

* Dimensions in mm - min / max
H = Tyre width - I = Wheel track - F = Tractor width

| TECHNICAL FEATURES | VOLCAN K90 MT - M.Y. 24 |
|---|--|
| ENGINE | Kubota V3800-CR-T-EW03 Diesel common rail direct injection Turbo 4 cylinders 3769 cc Liquid cooling Stage V |
| Power | 54,6 kW / 75 hp @2400 rpm Max torque 305,4 Nm@1500 rpm |
| Engine speed management | Electronic engine speed control with hand throttle control knob and push button with set speed storage/recall/exclusion function |
| Air filter | Integrated cyclone prefilter with high-performance air filter and front air intake |
| CHASSIS | Swinging integral chassis (±15°) OS-FRAME with steering wheels |
| DRIVE | Four-wheel drive. Front-wheel drive disengagement with electro-hydraulic control |
| TRANSMISSION | 32-speed synchronised gearbox: 16 FWD and 16 REV with synchronised reverser |
| Min/max travel speed (km/h) | 0.7 / 40 |
| POWER SHUTTLE EASYDRIVE® (optional) | Electronically controlled electro-hydraulic with lever positioned to the left of the steering wheel and two available reversing modes: slow reverse and quick reverse |
| Transmission clutch | Multidisc in oil bath electronically-managed and proportional hydraulic control with PRO-ACT System |
| DIFFERENTIAL | Front and rear. Differential lock: front and rear simultaneously or rear only with electro-hydraulic control |
| AXLES | Front and rear with planetary reduction units |
| REAR PTO | Independent from the gearbox and synchronised with the forwarding speed. Negative safety hydraulic brake to stop the PTO |
| PTO clutch | Multidisc in oil bath with electro-hydraulic control |
| PTO rotation speed (rpm) | Standard: 540/1000 - Optional: 540/540E |
| HYDRAULIC SYSTEM | Dual circuit with independent pumps and heat exchanger |
| Hydraulic pump flow rate of the power steering and electro-hydraulic controls (l/min) | 33.1 |
| Hydraulic pump flow rate of the lift and control valves (l/min) | 27.7 |
| Maximum hydraulic pressure (bar) | 180 |
| REAR CONTROL VALVES | Mechanically controlled |
| Standard | 3 double-acting and 1 double-acting with float (total 8 hydraulic outlets) |
| Joystick (optional) | Proportional electronic joystick with new ergonomic grip for controlling the rear lift with Dual Floating System® hydraulic suspension (and front lift if present) and rear control valves consisting of: 1 single-acting, 2 double-acting and 1 double-acting with float (control valves replacing standard ones) without free flow oil return (total 7 hydraulic outlets). Potentiometer for adjusting the hydraulic flow rate. Remote PTO engagement control. Storage armrest |
| REAR LIFT | Up/down lift with four external cylinders and Dual Floating System® hydraulic suspension |
| 3-point implement hitch | Standard: quick-couplings cat. 1 and 2, L-shaped, arms adjustable in length and hooks adjustable in width - Optional: quick-couplings cat. 1 and 2, arms adjustable in length |
| Third point tie rod | Standard: with manual adjustment - Optional: hydraulically controlled upper link and tie rod link arm |
| Ball joint lifting capacity (kg) | 2300 |
| FRONT LIFT (optional) | Two-cylinder, complete with front bumper and 4 front hydraulic outlets (replicated from the rear) |
| Third point arms | Rigid with quick-couplings cat. 1 |
| Lifting capacity (kg) | 800 |
| DRIVING POSITION | Reversible with wide rotating platform suspended on silent blocks. Suspended pedals mounted on the rotating control tower |
| Steering wheel | Tilt adjustable |
| Seat | With gas spring for easy tipping, safety belt and man-on-board sensor. Standard: comfort seat with armrest and adjustable spring tension according to the operator's weight - Optional: 'Grammer' or 'Cobo' pneumatic seat |
| SERVICE BRAKES | Oil bath discs with hydrostatic control, acting on the four wheels with automatic engagement of the 4-wheel drive. Independent manoeuvring brakes acting on the rear wheels |
| Parking brake | Automatic and independent Brake-Off acting as emergency brake with proportional action |
| STEERING | Hydrostatic steering acting on the front wheels. Flow deviator for steering unit |
| SAFETY | Standard: six-post semi-cab and beacon lamp |
| CABIN (optional) | SPACE CLIMA model, homologated and soundproof. Six-post monocoque frame mounted on silent blocks. Fully glazed doors and cloth seat. LED beacon lamp and rear lights. A/C, ventilation and heating system. Car radio preparation. Optional: activated carbon filters |
| DASHBOARD | Instrument panel with analogue gauges and TFT digital colour display. Warning lights and horn |
| ELECTRIC SYSTEM | Battery 100 Ah / 12 V - Alternator 95 A |
| Standard equipment | Vehicle Control Unit, full LED street lights and indicator system, front LED working lights, two USB sockets on the dashboard, rear 7-pin and 3-pin sockets |
| TYRES | 31x15.50-15 XTC * 31x15.50-15 STG * 440/50-17 All-Ground * 340/65R20 |
| TOW HOOKS | Standard: front and rear CUNA cat. C adjustable in height - Optional: rear tow hook EC approved or EC with Slider frame or CUNA with Slider frame or EC tow bar with Slider frame |
| RUNNING ORDER WEIGHT | With semi-cab: 2480 kg - With cabin: 2560 kg |
| ADDITIONAL OPTIONS | Front bumper, front weights 150 kg total and wheel weights 50 kg each, silver and bordeaux 'Special Edition' livery |