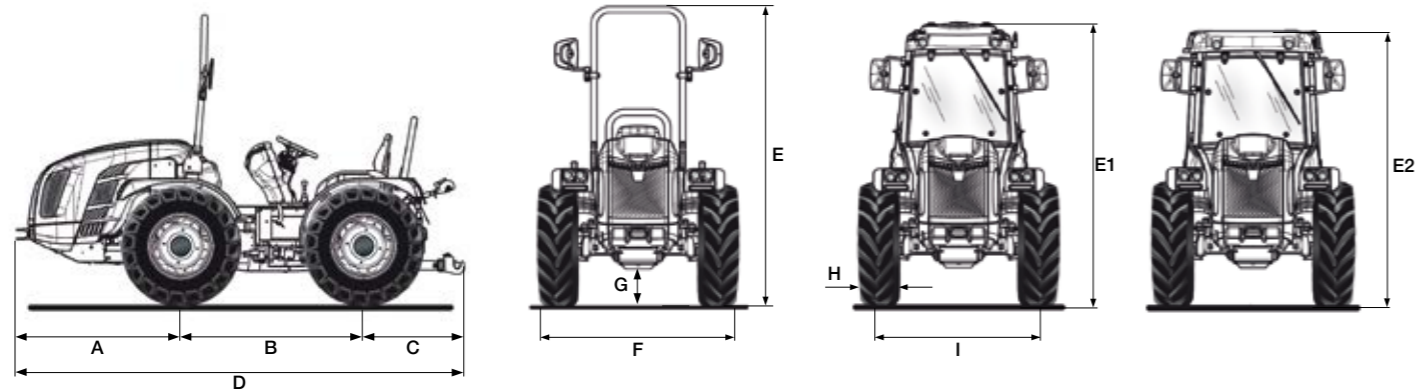


# VOLCAN K90 RS

## Data Sheet

**MODEL YEAR 24**



A	B	C	D	E min/max (with roll-bar)	E1 min/max (with VISTA cab)	E2 min/max (with SPACE cab)	F min/max	G min/max
1348	1495	932	3775	2254 / 2364	2235 / 2345	2070 / 2180	1291 / 1961	184 / 294

\* Dimensions in mm

	340/65 R18	280/70 R18	280/70 R18 Garden	320/65 R18	250/85 R20	300/70 R20	300/70 R20 Garden
	with adjustable rim	with adjustable rim	with adjustable rim	with adjustable rim	with adjustable rim	with adjustable rim	with adjustable rim
<b>H</b>	343	270	270	320	245	286	286
<b>I</b>	1098 / 1538	1098 / 1538	1098 / 1538	1098 / 1538	1046 / 1588	1134 / 1618	1134 / 1618
<b>F</b>	1441 / 1881	1368 / 1808	1368 / 1808	1441 / 1881	1291 / 1833	1420 / 1904	1420 / 1904

	320/70 R20	340/65 R20	31x15.50-15 XTC	31x15.50-15 STG	33x15.50-15 XTC	280/70 R20 Pneu Trac
	with adjustable rim	with adjustable rim	with fixed rim	with fixed rim	with fixed rim	with adjustable rim
<b>H</b>	316	343	368	394	391	286
<b>I</b>	1134 / 1618	1134 / 1618	1260 / 1374	1260 / 1374	1260 / 1374	1170 / 1550
<b>F</b>	1450 / 1934	1477 / 1961	1628 / 1742	1654 / 1768	1651 / 1765	1456 / 1836

\* Dimensions in mm - min / max  
H = Tyre width - I = Wheel track - F = Tractor width

TECHNICAL FEATURES	VOLCAN K90 RS - M.Y. 24
<b>ENGINE</b>	Kubota V3800-CR-T-EW03   Diesel common rail direct injection   Turbo   4 cylinders   3769 cc   Liquid cooling   Stage V
Power	54,6 kW / 75 hp @2400 rpm   Max torque 305,4 Nm@1500 rpm
Engine speed management	Electronic engine speed control with hand throttle control knob and push button with set speed storage/recall/exclusion function
<b>CHASSIS</b>	Swinging integral chassis (±15°) OS-FRAME with steering wheels
<b>DRIVE</b>	Four-wheel drive. Front-wheel drive disengagement with electro-hydraulic control
<b>TRANSMISSION</b>	32-speed synchronised gearbox: 16 FWD and 16 REV with synchronised reverser
Min/max travel speed (km/h)	0.7 / 40
<b>POWER SHUTTLE EASYDRIVE® (optional)</b>	Electronically controlled electro-hydraulic with lever positioned to the left of the steering wheel and two available reversing modes: slow reverse and quick reverse
Transmission clutch	Multidisc in oil bath electronically-managed and proportional hydraulic control with PRO-ACT System
<b>DIFFERENTIAL</b>	Front and rear. Differential lock: front and rear simultaneously or rear only with electro-hydraulic control
<b>AXLES</b>	Front and rear with planetary reduction units
<b>REAR PTO</b>	Independent from the gearbox and synchronised with the forwarding speed. Negative safety hydraulic brake to stop the PTO
PTO clutch	Multidisc in oil bath with electro-hydraulic control
PTO rotation speed (rpm)	Standard: 540/540E - Optional: 540/1000
<b>HYDRAULIC SYSTEM</b>	Dual circuit with independent pumps and heat exchanger
Hydraulic pump flow rate of the power steering and electro-hydraulic controls (l/min)	33.1
Hydraulic pump flow rate of the lift and control valves (l/min)	27.7 (optional oversized pump with 49 l/min flow rate)
Maximum hydraulic pressure (bar)	180
<b>REAR CONTROL VALVES</b>	Mechanically controlled
Standard	2 double-acting and 1 double-acting with float and free flow oil return (total 7 hydraulic outlets)
Optional	With rear up/down lift: up to 12 hydraulic outlets in total - With draft-controlled rear lift: up to 9 hydraulic outlets in total
Joystick (optional)	Proportional electronic joystick with new ergonomic grip for controlling the rear lift (and front lift if present) and rear control valves consisting of: 1 continuous flow with adjustable flow rate and free flow oil return, 4 double-acting and 1 double-acting with float (control valves replacing standard ones). Additional 3/8" free flow oil return (total 13 hydraulic outlets). Potentiometer for adjusting the hydraulic flow rate and 49 l/min oversized pump. Remote PTO engagement control. Storage armrest
<b>REAR LIFT</b>	Standard: up/down lift with two external cylinders - Optional: position and draft-controlled
3-point implement hitch	Standard: normal couplings cat. 1 and 2 - Optional: quick-couplings cat. 1 and 2, arms adjustable in length or quick-couplings cat. 1 and 2, L-shaped, arms adjustable in length and hooks adjustable in width
Third point tie rod	Standard: with manual adjustment - Optional: hydraulically controlled upper link and tie rod link arm
Ball joint lifting capacity (kg)	2300
<b>FRONT LIFT (optional)</b>	Two-cylinder, complete with front bumper and 4 front hydraulic outlets (replicated from the rear)
Third point arms	Rigid with quick-couplings cat. 1
Lifting capacity (kg)	800
<b>DRIVING POSITION</b>	Reversible with rotating platform suspended on silent blocks. Suspended pedals mounted on the rotating control tower
Steering wheel	Tilt adjustable
Seat	With gas spring for easy tipping, safety belt and man-on-board sensor. Standard: comfort seat with adjustable spring tension according to the operator's weight - Optional: 'Grammer' or 'Cobo' pneumatic seat
<b>SERVICE BRAKES</b>	Oil bath discs with hydrostatic control, acting on the four wheels with automatic engagement of the 4-wheel drive. Independent manoeuvring brakes acting on the rear wheels
Parking brake	Automatic and independent Brake-Off acting as emergency brake with proportional action
<b>STEERING</b>	Hydrostatic steering acting on the front wheels. Flow deviator for steering unit
<b>SAFETY</b>	Standard: front homologated roll-bar with gas springs for easy lowering and lifting
<b>CABIN (optional)</b>	Available in two versions. VISTA PRO model, pressurised and category 4 approved (activated carbon filters required). Soundproof. Four-post monocoque frame with conical profile, mounted on silent blocks. Fully glazed doors and cloth seat. A/C, ventilation and heating system. Dust filters category 2. USB bluetooth car radio with handsfree. Two USB sockets. LED work lights on the four sides of the cab (total of 10 lights). LED beacon lamp. Optional: activated carbon filters for category 4 SPACE CLIMA model, homologated and soundproof. Six-post monocoque frame mounted on silent blocks. Fully glazed doors and cloth seat. LED beacon lamp and rear lights. A/C, ventilation and heating system. Car radio preparation. Optional: activated carbon filters
<b>DASHBOARD</b>	Instrument panel with analogue gauges and TFT digital colour display. Warning lights and horn
<b>ELECTRIC SYSTEM</b>	Battery 100 Ah / 12 V - Alternator 95 A
Standard equipment	Vehicle Control Unit, full LED street lights and indicator system, front LED working lights, two USB sockets on the dashboard, rear 7-pin and 3-pin sockets
<b>TYRES</b>	340/65R18 * 280/70R18 * 280/70R18 Garden * 320/65R18 * 9.50-20 (250/85R20) * 300/70R20 * 300/70R20 Garden * 320/70R20 * 340/65R20 * 31x15.50-15 XTC * 31x15.50-15 STG * 33x15.50-15 XTC * 280/70R20 PneuTrac
<b>TOW HOOKS</b>	Standard: front and rear CUNA cat. C adjustable in height - Optional: rear tow hook EC approved or EC with Slider frame or CUNA with Slider frame or EC tow bar with Slider frame
<b>RUNNING ORDER WEIGHT</b>	With roll-bar: 2380 kg - With cabin: 2530 kg
<b>ADDITIONAL OPTIONS</b>	Front bumper, beacon lamp, rear adjustable working light, front weights 150 kg total and wheel weights 50 kg each, anti-bounce kit to be applied to the third point, silver and bordeaux 'Special Edition' livery