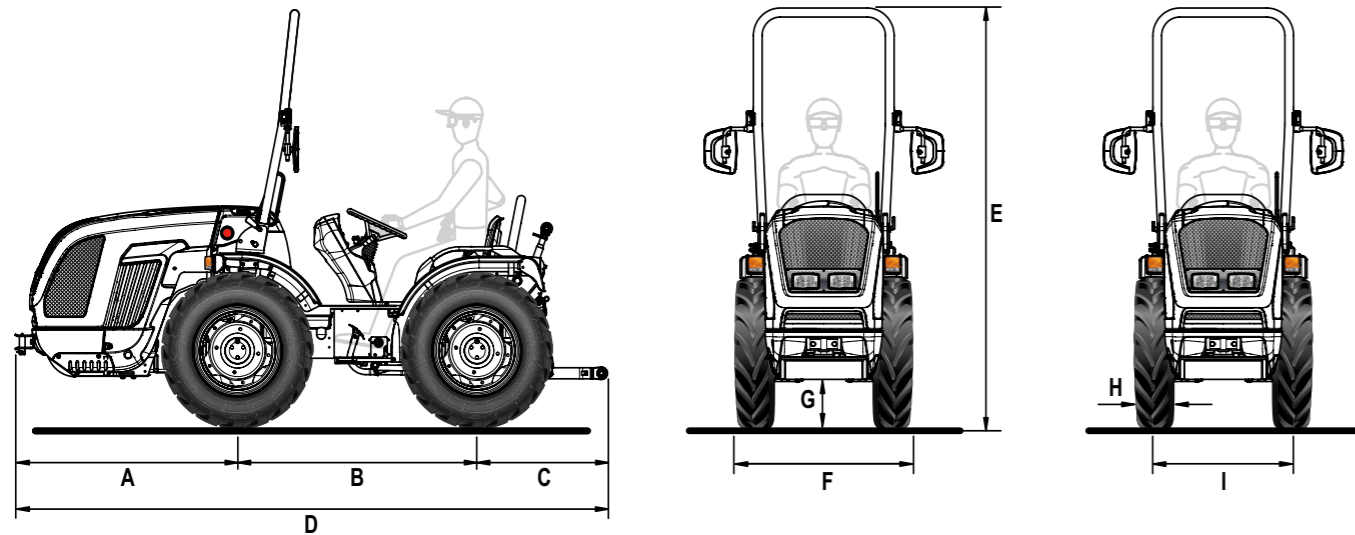


# VALIANT 60 AR **Micro**

## Data Sheet



| A    | B    | C   | D    | E<br>min/max | F<br>min/max | G<br>min/max |
|------|------|-----|------|--------------|--------------|--------------|
| 1248 | 1340 | 779 | 3367 | 2251 / 2274  | 950 / 1322   | 253 / 279    |

\* Dimensions in mm

|          | 8.25-16             | 7.00-18        | 210/95 R18     |
|----------|---------------------|----------------|----------------|
|          | with adjustable rim | with fixed rim | with fixed rim |
| <b>H</b> | 212                 | 178            | 208            |
| <b>I</b> | 770 / 1110          | 772 / 1130     | 795 / 1103     |
| <b>F</b> | 982 / 1322          | 950 / 1308     | 1003 / 1311    |

\* Dimensions in mm - min / max  
H = Tyre width - I = Wheel track - F = Tractor width

| TECHNICAL FEATURES  | VALIANT 60 AR MICRO   |
|---|---|
| <b>ENGINE</b>   | Kohler KDI 1903 TCA   Diesel common rail direct injection   Turbo intercooler   3 cylinders   1861 cc   Liquid cooling   Stage V  |
| Power   | 36 kW / 49 hp @2600 rpm   Max torque 190 Nm@1500 rpm  |
| <b>CHASSIS</b>  | Swinging integral chassis (±15°) OS-FRAME with central articulation   |
| <b>DRIVE</b>  | Permanent four-wheel drive  |
| <b>TRANSMISSION</b>   | 24-speed synchronised gearbox: 12 FWD and 12 REV with synchronised reverser   |
| Min/max travel speed (km/h)   | 0.7 / 35  |
| Transmission clutch   | Multidisc in oil bath   |
| <b>DIFFERENTIAL</b>   | Front and rear with simultaneous locking and electro-hydraulic control  |
| <b>AXLES</b>  | Front and rear with planetary reduction units   |
| <b>REAR PTO</b>   | Independent from the gearbox and synchronised with forwarding speed. Negative safety hydraulic brake to stop the PTO  |
| PTO clutch  | Multidisc in oil bath with electro-hydraulic control  |
| PTO rotation speed (rpm)  | 540   |
| <b>HYDRAULIC SYSTEM</b>   | Dual circuit with independent pumps   |
| Hydraulic pump flow rate of the power steering and electro-hydraulic controls (l/min) | 17.5  |
| Hydraulic pump flow rate of the lift and control valves (l/min)                       | 23  |
| Maximum hydraulic pressure (bar)  | 180   |
| <b>REAR CONTROL VALVES</b>  | Mechanically controlled   |
| Standard  | With rear up/down lift: 1 double-acting (total 2 hydraulic outlets)<br>With draft-controlled rear lift: 1 double-acting and 1 double-acting with float (total 4 hydraulic outlets)                                |
| Optional  | With rear up/down lift: up to 7 hydraulic outlets in total and free flow oil return - With draft-controlled rear lift: up to 5 hydraulic outlets in total and free flow oil return                                |
| <b>"PREMIUM" HYDRAULIC SYSTEM (optional)</b>  | Available for up/down lift and including: oversized hydraulic pump of the lift and control valves with 33.5 l/min flow rate, heat exchanger, flow divider and 7 total hydraulic outlets with free flow oil return |
| <b>REAR LIFT</b>  | By two external cylinders. Standard: up/down lift - Optional: position and draft-controlled   |
| 3-point implement hitch   | Standard: Normal couplings cat. 1 - Optional: Quick-couplings cat. 1, L-shaped, arms adjustable in length and hooks adjustable in width and hydraulically controlled upper link and tie rod link arm              |
| Third point tie rod   | Standard: with manual adjustment - Optional: hydraulically controlled upper link and tie rod link arm (only with quick-couplings)   |
| Ball joint lifting capacity (kg)  | 1200  |
| <b>DRIVING POSITION</b>   | Reversible with rotating platform and twin pedal assembly   |
| Steering wheel  | Standard: fixed - Optional: height adjustable   |
| Seat  | Comfort seat with adjustable suspension according to the operator's weight, safety belt and man-on-board sensor   |
| <b>SERVICE BRAKES</b>   | Multidisc in oil bath with mechanical control, acting on the rear wheels  |
| Parking brake   | Acting on service brakes  |
| <b>STEERING</b>   | Hydrostatic steering acting on the central joint. Flow deviator for steering unit   |
| <b>SAFETY</b>   | Front homologated roll-bar with gas spring for easy lowering and lifting  |
| <b>DASHBOARD</b>  | Instrument panel with analogue gauges and TFT digital colour display. Warning lights and horn   |
| <b>ELECTRIC SYSTEM</b>  | Battery 80 Ah / 12 V - Alternator 95 A  |
| Standard equipment  | Vehicle Control Unit, street light and indicator system, single-pole dashboard socket, rear 7-pin socket  |
| <b>TYRES</b>  | 8.25-16 * 7.00-18 * 210/95R18   |
| <b>TOW HOOKS</b>  | Standard: front and rear CUNA cat. B adjustable in height - Optional: rear tow hook EC approved   |
| <b>RUNNING ORDER WEIGHT</b>   | With roll-bar: 1590 kg  |
| <b>ADDITIONAL OPTIONS</b>   | Front bumper, beacon lamp, rear adjustable working light, front weights 110 kg total  |