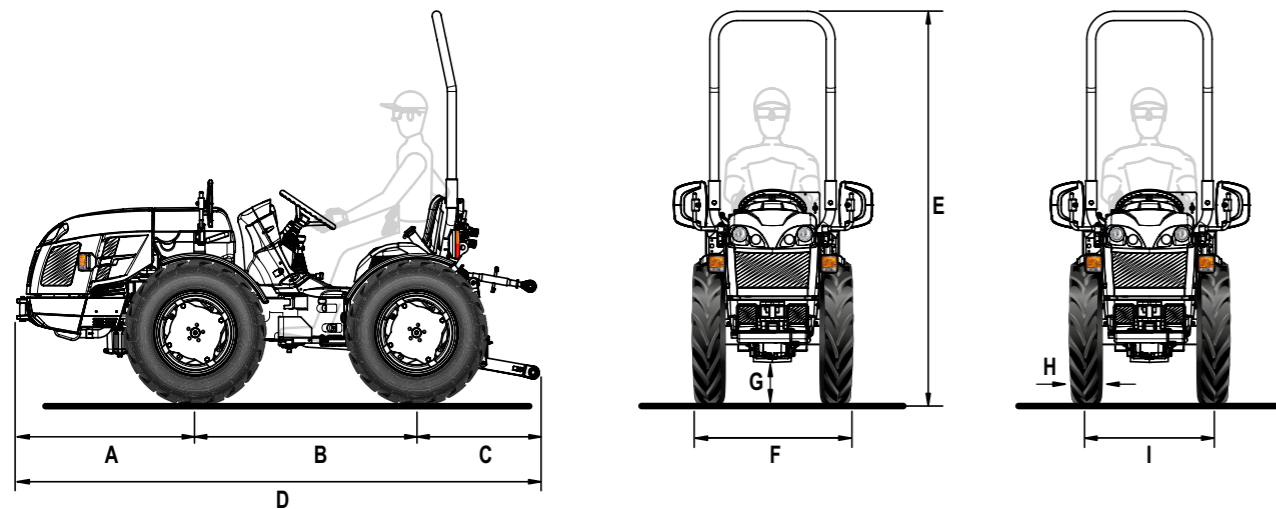


INVICTUS 35 AR JUNIOR **Micro**

Data Sheet



A	B	C	D	E min/max	F min/max	G min/max
968	1200	723	2891	2022 / 2059	770 / 902	150 / 187

* Dimensions in mm

	5.00-15 with fixed rim	6.00-16 with fixed rim
H	129	177
I	641 / 762	677 / 725
F	770 / 891	854 / 902

* Dimensions in mm - min / max
H = Tyre width - I = Wheel track - F = Tractor width

TECHNICAL FEATURES	INVICTUS 35 AR JUNIOR MICRO
ENGINE	Kubota D1105 Diesel indirect injection Natural aspiration 3 cylinders 1123 cc Liquid cooling Stage V
Power	18.5 kW / 25 hp @3000 rpm Max torque 71.5 Nm@2200 rpm
Tank capacity (l)	43
CHASSIS	Swinging integral chassis (±15°) OS-FRAME with central articulation
DRIVE	Permanent four-wheel drive
TRANSMISSION	Gearbox with easy gear engagement: 8 FWD + 4 REV speeds
Min/max travel speed (km/h)	1.3 / 25.1
Transmission clutch	Dry single disc
DIFFERENTIAL	Front and rear with simultaneous locking and mechanical control
REAR PTO	At 540 rpm and synchronised with forwarding speed
Engagement control	Mechanical
HYDRAULIC SYSTEM	Single-circuit
Hydraulic pump flow rate (l/min)	16.5
Maximum hydraulic pressure (bar)	125
REAR CONTROL VALVES	Mechanically controlled
Standard	Without hydraulic outlets
Optional	Up to 2 hydraulic outlets in total
REAR LIFT	Up/down lift. Standard: by single external cylinder - Optional: by two external cylinders
3-point implement hitch	With normal couplings cat. 1N
Third point tie rod	With manual adjustment
Ball joint lifting capacity	With standard one-cylinder rear lift: 500 kg - With optional two-cylinder rear lift: 950 kg
DRIVING POSITION	Monodirectional
Steering wheel	Standard: fixed - Optional: height adjustable
Seat	Comfort seat with longitudinal, height and spring adjustment according to the operator's weight, safety belt and man-on-board sensor
SERVICE BRAKES	Drum brakes acting on rear wheels
Parking brake	Acting on service brakes
STEERING	Hydrostatic steering acting on the central joint
SAFETY	Rear roll-bar
DASHBOARD	With analogue instrumentation complete with operating hours indicator, engine rpm, forwarding speed and warning lights
ELECTRIC SYSTEM	60 Ah / 12 V battery - 40 A alternator
Standard equipment	Street light and indicator system, auxiliary power outlet on the dashboard (12V), rear 7-pin socket
TYRES	5.00-15 * 6.00-16
TOW HOOKS	Standard: front and rear CUNA cat. B adjustable in height - Optional: rear tow hook EC approved
RUNNING ORDER WEIGHT	With roll-bar: 975 kg
ADDITIONAL OPTIONS	Front working lights, rear adjustable working light, beacon lamp